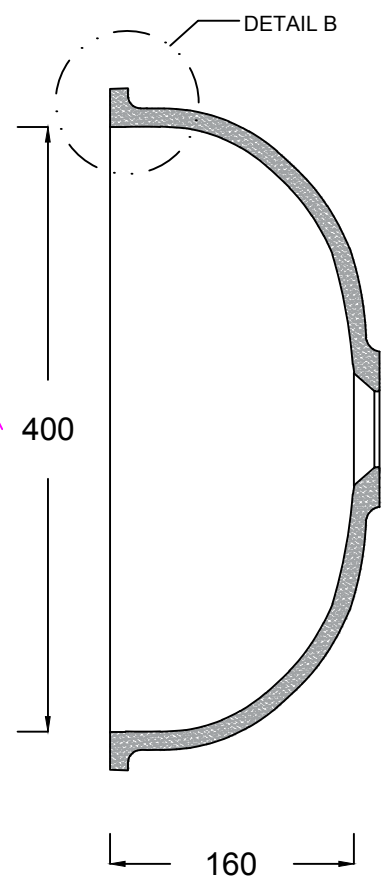
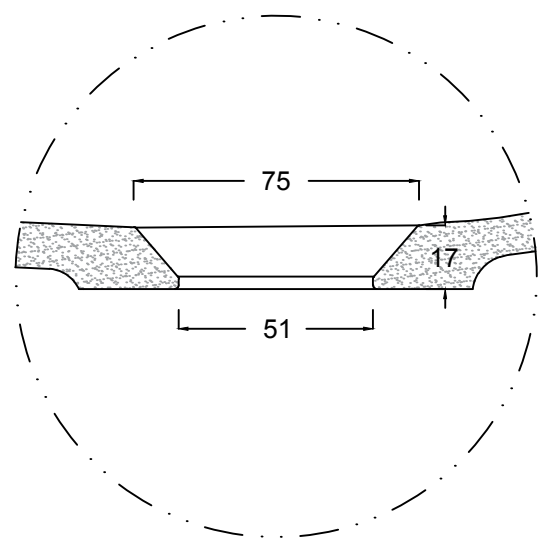


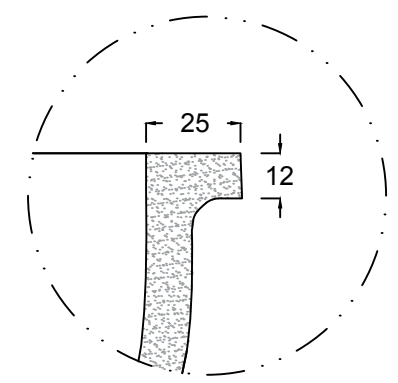
PLAN VIEW



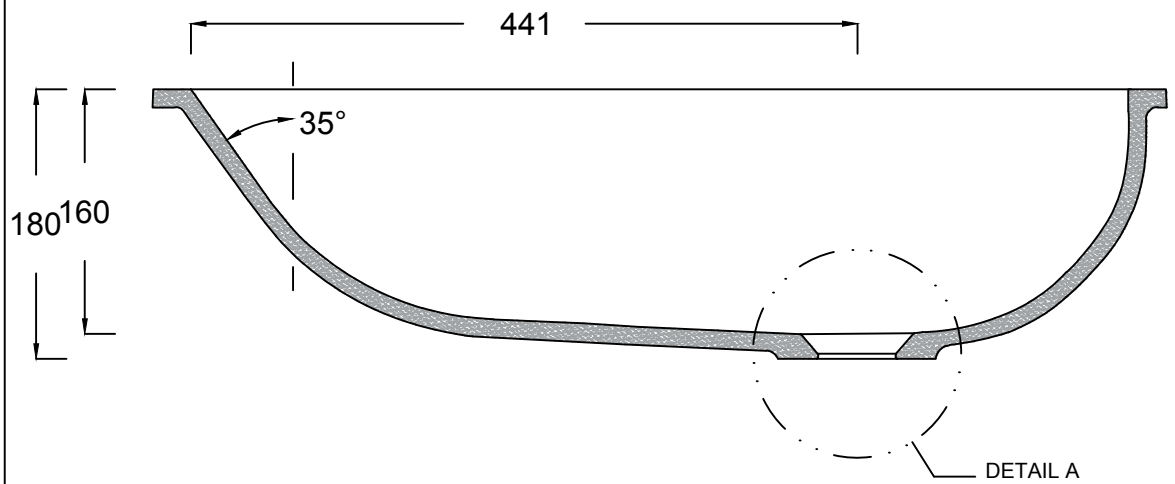
SECTION B:B



DETAIL A
SCALE: 1:2



DETAIL B
SCALE: 1:2



SECTION A:A



ARCHIVE NBR: ARCHIVE 3	CUSTOMER NAME:
FILE NAME/FORMAT: DUPONT_CORIAN_CARE5310_2D.DWG	APPLICATION/DESCRIPTION: Healthcare/ Baby bath
MODEL NAME: CARE 5310	DOCUMENT STATUS: FINAL
CREATED BY: KS	CODE: D3-5310-02
APPROVED BY:	APPROVAL DATE:
LAUNCH DATE:	DATE OF ISSUE: 28/05/2015
SCALE: 1:5 in A3	REV. NBR/DATE: Rev. 01-14/12/2015



Head Office & Showroom
 2/5-11 Mellor St, West Ryde NSW 2114
 P: 1300 795 485 E: info@scfinteriors.com.au

DISCLAIMER/COPYRIGHT:
 THIS DRAWING HAS BEEN FURNISHED BY E.I. DU PONT DE NEMOURS AND COMPANY. THE INFORMATION AND KNOW-HOW THEREON MAY NOT BE USED NOR THE DRAWING REPRODUCED WITHOUT THE WRITTEN PERMISSION OF E.I. DU PONT DE NEMOURS AND COMPANY. ALL REPRODUCTIONS IN WHOLE OR IN PART, INCLUDING VENDOR'S SHOP DRAWINGS, SHALL BEAR OR REFER TO THIS STAMP