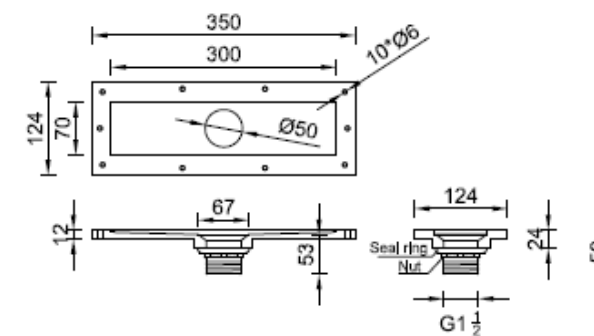
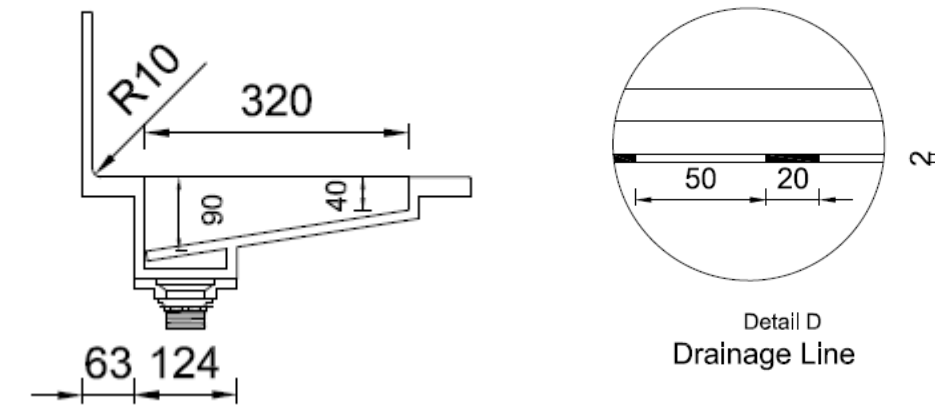
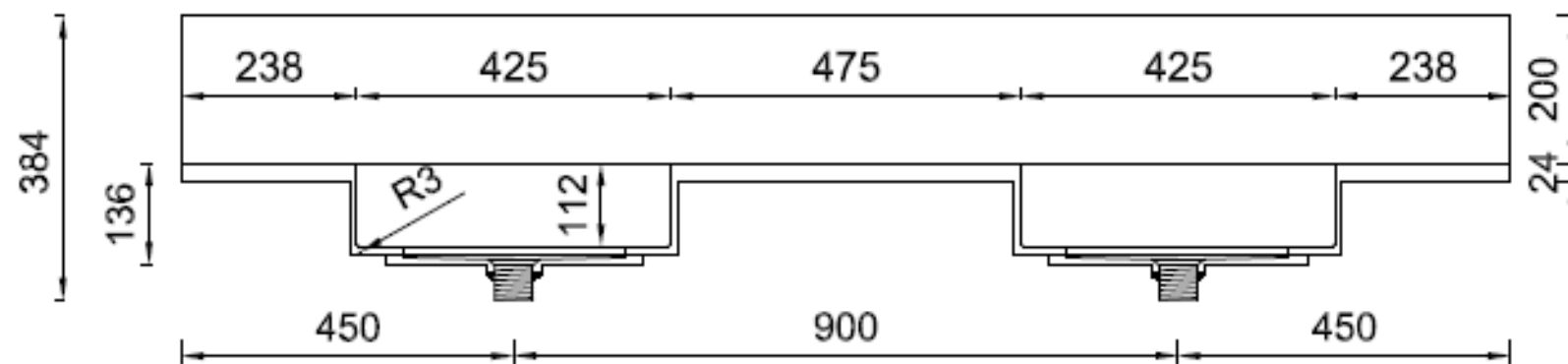
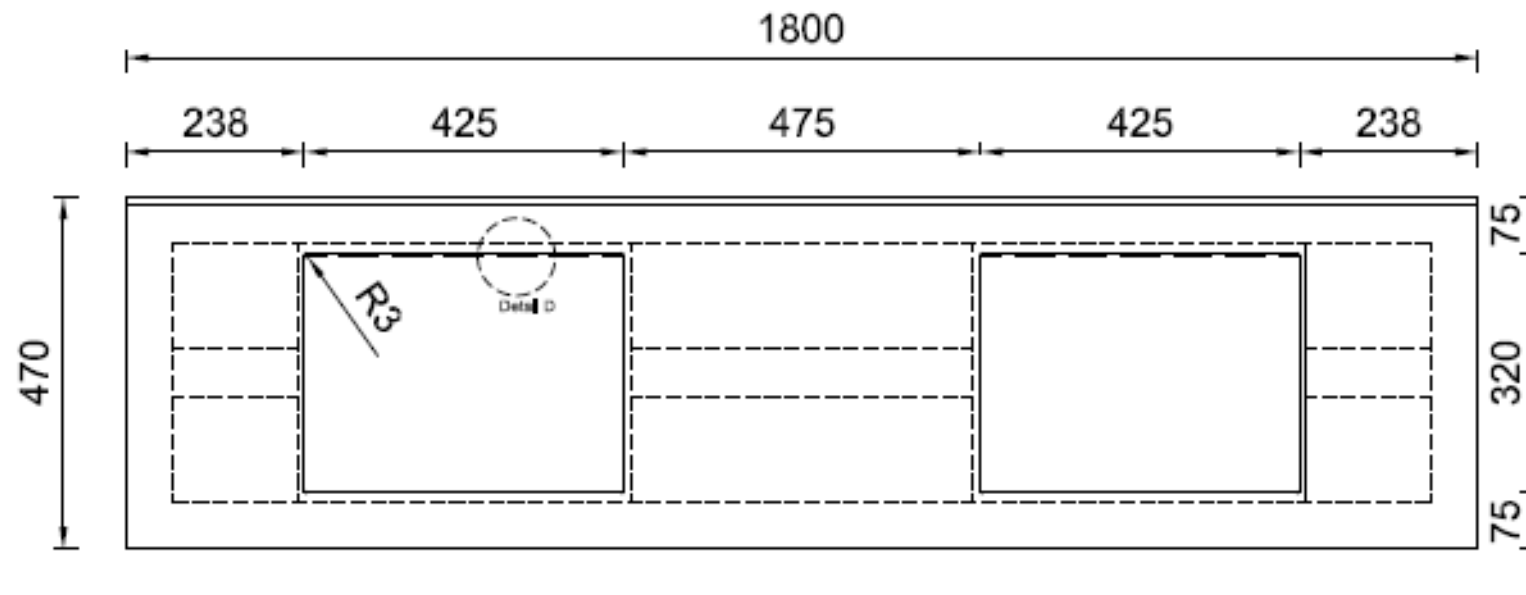


# Corian® Specification Sheet : 4222 Washplane

[Revised November 2019]

## Notes:

Tap hole cutouts not included, drawing for location reference only.  
 All external edges sanded to 2mm radius  
 Top surface sanded to semi-gloss finish



Waste Kit



Head Office & Showroom

2/5-11 Mellor St, West Ryde NSW 2114

P: 1300 795 485 E: info@scfinteriors.com.au



3	2 waste fittings, pre-assembled to #2
2	2 waste kits, pre-assembled to #1
1	1 Corian Washplane 4222
#	Packing List