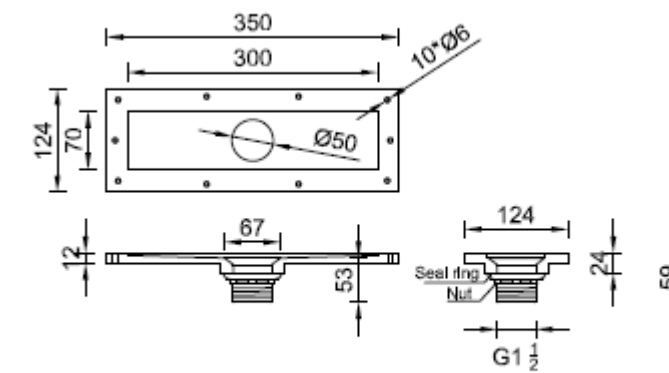
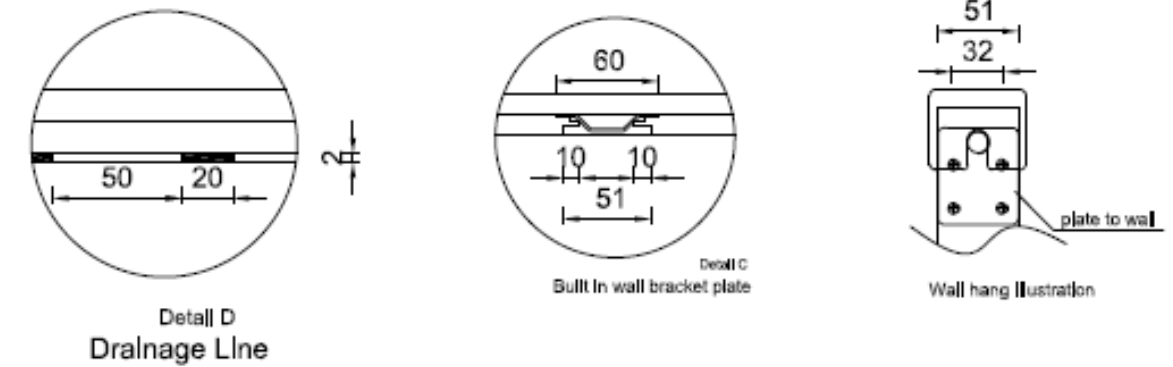
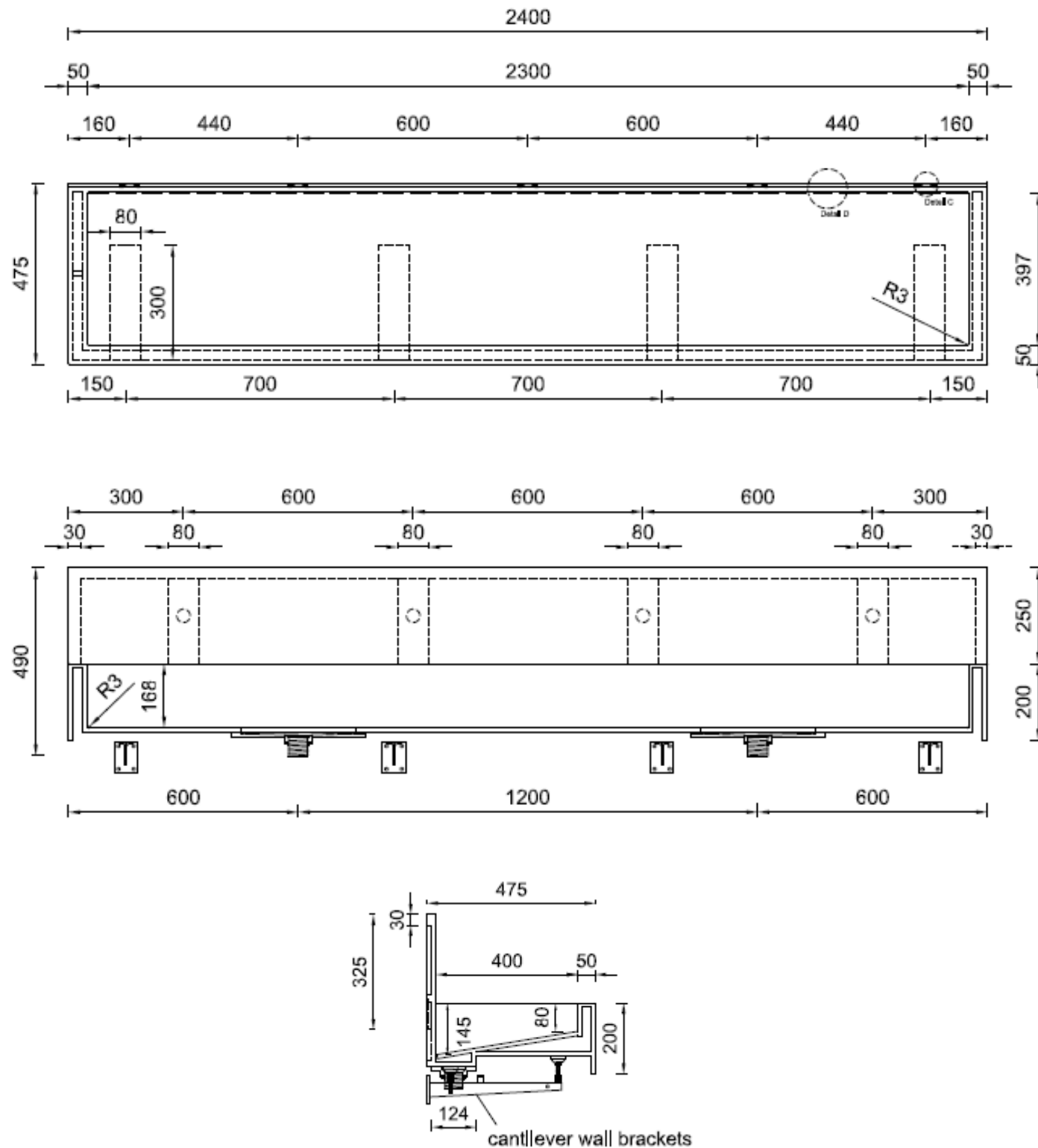


# Corian® Specification Sheet : 3224 Washplane

[Revised November 2019]

## Notes:

Tap hole cutouts not included, drawing for location reference only.  
 All external edges sanded to 2mm radius  
 Top surface sanded to semi-gloss finish



Waste Kit



Head Office & Showroom

2/5-11 Mellor St, West Ryde NSW 2114  
 P: 1300 795 485 E: info@scfinteriors.com.au



|   |  |
|---|--|
| 6 | 1 plywood wall bracket template                        |
| 5 | 5 wall bracket fixing plates & screws                  |
| 4 | 4 x 380mm adjustable cantilever wall brackets & screws |
| 3 | 2 waste fitting, pre-assembled to #2                   |
| 2 | 2 Corian waste kit, pre-assembled to #1                |
| 1 | 1 Corian Washplane 3224                                |
| # | Packing List   |