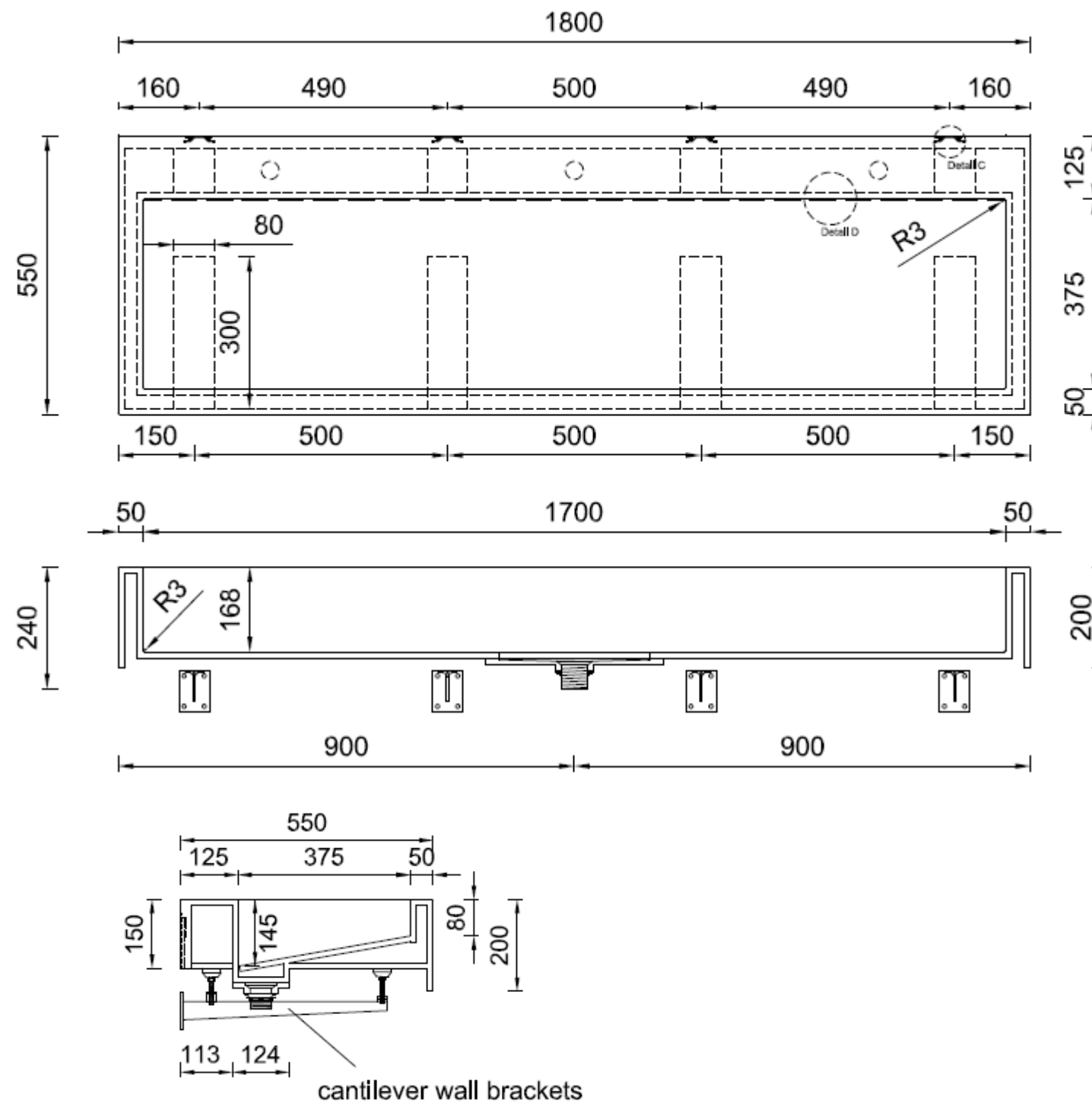


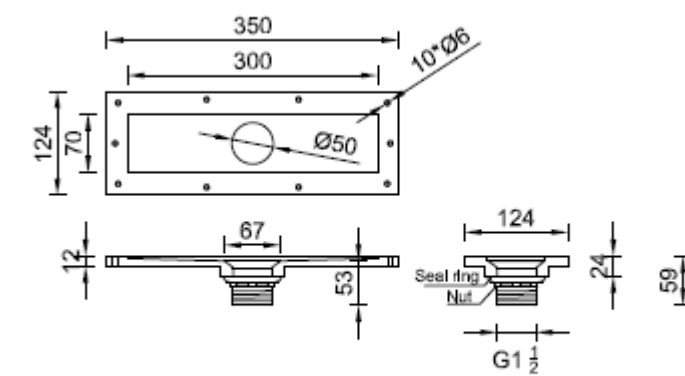
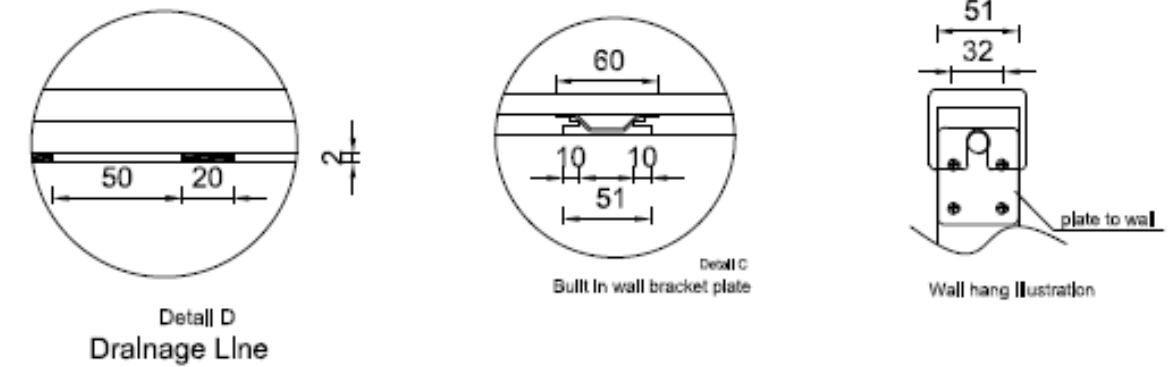
Corian® Specification Sheet : 3213 Washplane

[Revised November 2019]



Notes:

- Tap hole cutouts not included, drawing for location reference only.
- All external edges sanded to 2mm radius
- Top surface sanded to semi-gloss finish



Waste Kit

6	1 plywood wall bracket template
5	4 wall bracket fixing plates & screws
4	4 x 450mm adjustable cantilever wall brackets & screws
3	1 waste fitting, pre-assembled to #2
2	1 Corian waste kit, pre-assembled to #1
1	1 Corian Washplane 3213
#	Packing List



Head Office & Showroom

2/5-11 Mellor St, West Ryde NSW 2114

P: 1300 795 485 E: info@scfinteriors.com.au

